

DATA SHEET

# Si-33

## Piston pump

Sauermann® part #: SI33CE01UN23



### Max flow rate

The high capacity Si-33 (30l/h) is suitable for air-conditioning units from 20 kW up to 30 kW. The piston pump inside the Si-33 is specifically designed for removing condensates from air conditioning systems, whatever the environment.

### Benefits



#### Patented technology

- High performance: pump suitable for air-conditioning units from 20 kW up to 30 kW.
- High resistance to pollution created by general environment. Capable of discharging small particles.
- Proven Reliability.
- The Drain Safe Device retains prime and prolongs the pump life.



#### Low sound level

- Low sound level in operation: 34 dBA independently tested.
- Mounting bracket specifically designed to reduce vibration transmission to the wall / panel or pipework.



#### Easy to install

- Compact design.
- New mounting bracket: allows the pump to be wall mounted or hung from ceilings and pipework.
- Lockable plug-in power cord to avoid unintended disconnection.



#### Energy saving

- Improved performance and high flow rate reduce operation time and energy consumption.



### Kit content

- Piston pump
- Clear PVC tube Ø int. 6 mm – L: 1 m, fitted with a "Drain Safe Device" pre-mounted
- Anti-vibration mounting bracket
- 1.5 m lockable plug-in power cable: 2 power wires, 2 safety switch wires
- 6 tie wraps, 2.5 x 100 mm
- Detection unit (SI2958, 1.5 m cable)
- Detection unit installation kit:
  - rubber elbow 90° Ø int.15 x L 60 mm,
  - vent tube Ø int. 4 x L 75 mm,
  - mounting rail, adhesive

## Technical specifications

<b>Max. flow rate</b>	30 l/h
<b>Max. suction head</b>	3.3 m
<b>Max. discharge head</b>	13 m (flow rate = 8 l/h)
<b>Max pressure</b>	18 m (flow rate = 0 l/h)
<b>Sound level at 1m</b> EN ISO 3744 (Measured at LNE lab, pump operating with water, out of application)	≤ 34 dBA
<b>Sound level in application at 1m:</b> (Measured in Sauermann acoustic lab, pump operating with water)	≤ 36 dBA
<b>Mains supply</b>	230 V~ 50/60 Hz - 21 W
<b>Insulation class</b>	□ (double insulation)
<b>Detection levels</b>	ON: 16 mm; OFF: 11 mm; Safety: 19 mm
<b>Safety switch</b>	NC 8 A resistive – 250 V
<b>Thermal protection (overheating)</b>	115 °C (auto-reset)
<b>Max. condensate temperature</b>	35 °C
<b>Operating conditions</b>	50 %: 3 s ON – 3 s OFF
<b>Protection</b>	IP20
<b>Safety standards</b>	CE et EAC
<b>RoHS directive</b>	Compliant
<b>WEEE directive</b>	Compliant
<b>Packaging</b>	L 135 x W 135 x H 90 mm
<b>Weight (including box)</b>	0.48 kg

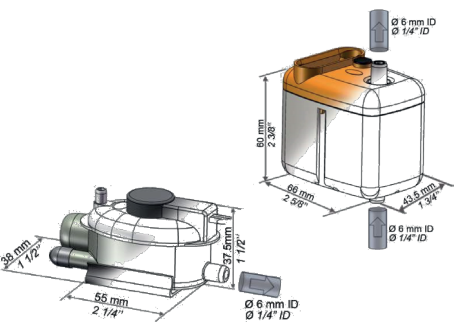
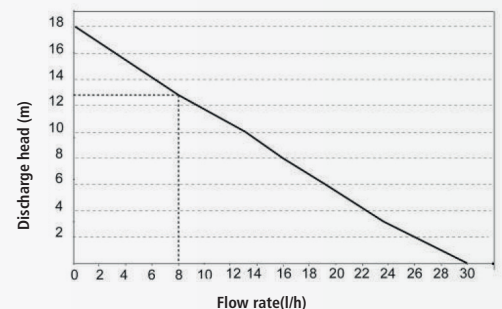
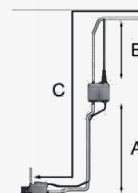
## Actual flow rates (l/h)

Total tube length using  
(Ø int. 6 mm, 1/4" ) (C)

Suction head (A)	Discharge head (B)	5 m	10 m	20 m	30 m
0 m	0 m	30	27	26	25
	2 m	26	24	23	22
	4 m	22	21	20	19
	6 m		18	17	16
	8 m		15	14	13
	10 m		12	11	10
	12 m			8	7
1 m	0 m	24	23	22	21
	2 m	20	19	18	17
	4 m	17	21	15	14
	6 m		16	12	11
	8 m		13	9	8
2 m	10 m		10	6	5
	0 m	21	20	19	18
	2 m	17	16	15	14
	4 m	14	13	12	11
	6 m		10	9	8
	8 m		7	6	5

Total tube length using  
(Ø int. 6 mm, 1/4" ) (C)

Suction head (A)	Discharge head (B)	5 m	10 m	20 m	30 m
3 m	0 m	18	17	16	15
	2 m	15	14	13	12
	4 m		10	9	8
	6 m		6	5	4





## Applications

For use with any air-conditioning units, from 20 kW up to 30 kW:

- Wall mounted
- Ducted
- Ceiling suspended
- Fan-coils

## Accessories

Name	#Part
 Clear PVC hose Ø int. 6 mm (1/4")	ACC00909: 5 m ACC00910: 50 m
 6 Self-sealing fittings for hose Ø int. 6 mm (1/4")	ACC00919